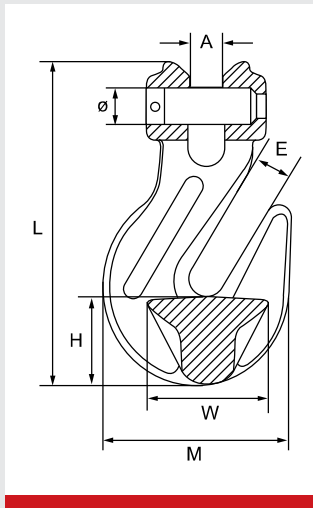




## GT Cobra Grade 80 Clevis Grab Hook

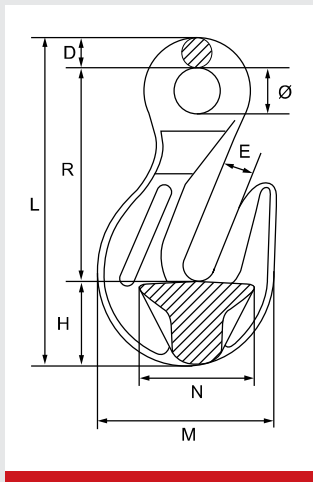


Product Code	Part No.	Chain Dia mm	A mm	E mm	H mm	L mm	M mm	W mm	Ø mm
G80CGH8	K1751	7/8	9.5	10.5	21	89	53	33.5	9
G80CGH10	K1752	10	12.5	13	29	126	71	46	12.5
G80CGH13	K1753	13	15	16.5	42.5	163.5	90	57.5	15.8
G80CGH16	K1754	16	18.5	19	45.5	183.5	113	74	19.7
G80CGH20	K1755	20	23	24	56	219	143	74	24
G80CGH22	K1756	22	27	27	68.5	254	160	90	26
G80CGH26	K1757	26	30	30	77	309	171	102	33

Part No.	Chain Dia mm	W.L.L. t	M.P.L. t	M.B.L. t	Weight kgs
K1751	7/8	2	4	8	0.32
K1752	10	3.15	6.3	12.6	0.73
K1753	13	5.3	10.6	21.2	1.6
K1754	16	8	16	32	2.8
K1755	20	12.5	25	50	5
K1756	22	15	30	60	6.3
K1757	26	21.2	42.4	84.8	14.5

- Alloy steel, quenched and tempered.
- Red painted finish.
- Meets the W.L.L. performance requirements of BS EN 1677-1.
- Marked with material grade, manufacturers ID, size, product ID mark and traceability code.
- Clevis fitting enables direct connection to chain.
- Certification available [2.1 DoC](#)

## GT Cobra Grade 80 Eye Grab Hook



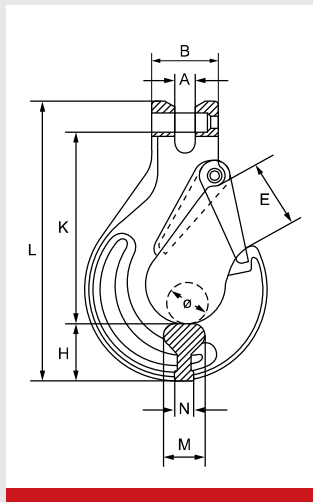
Product Code	Part No.	Chain Dia mm	D mm	E mm	H mm	L mm	M mm	N mm	R mm	Ø mm
G80EGH8	K1701	7/8	9.5	10.8	21.5	93	53	30.5	62	18
G80EGH10	K1702	10	14	13	29	122	71	46	79.8	20.5
G80EGH13	K1703	13	15.5	16.5	42.8	158	90	57.5	99.7	26
G80EGH16	K1704	16	19	19	44.5	169	113	72	106.5	30.5
G80EGH20	K1705	20	23	24	56	219	143	74	140.2	37.5
G80EGH22	K1706	22	26	28	68	259	160	90	165	44
G80EGH26	K1707	26	34	30	77	306	171	110	197	49
G80EGH32	K1708	32	40	41	87	373	229	130	246	64

Part No.	Chain Dia mm	W.L.L. t	M.P.L. t	M.B.L. t	Weight kgs
K1701	7/8	2	4	8	0.24
K1702	10	3.15	6.3	12.6	0.65
K1703	13	5.3	10.6	21.2	1.39
K1704	16	8	16	32	2.2
K1705	20	12.5	25	50	4.6
K1706	22	15	32	60	6.36
K1707	26	21.2	42.4	84.8	10.6
K1708	32	31.5	63	126	19.4

- Alloy steel, quenched and tempered.
- Red painted finish.
- Meets the W.L.L. performance requirements of BS EN 1677-1.
- Marked with material grade, manufacturers ID, size, product ID mark and traceability code.
- Certification available [2.1 DoC](#)



## GT Cobra Grade 80 Clevis Sling Hook c/w Safety Catch

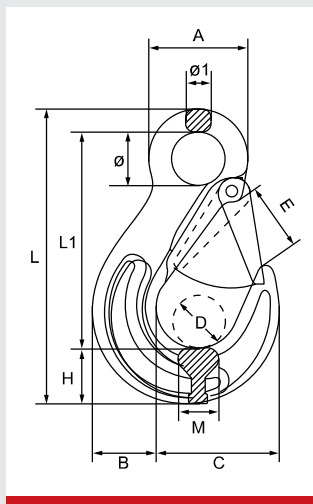


Product Code	Part No.	Chain Dia mm	A mm	B mm	E mm	H mm	K mm	L mm	M mm	N mm	Ø mm
G80CSH8	K1501	7/8	9.5	37	29	25	86	129.5	18	12	37
G80CSH10	K1502	10	12.5	49	39	31	96.5	158	23	16	46
G80CSH13	K1503	13	16.5	55.5	47	42.5	128	198.3	27.5	15	56
G80CSH16	K1504	16	21.5	70.5	55	54	148	237	35	24	60
G80CSH20	K1505	20	24	77	61	58	181	277.5	42	32	79
G80CSH22	K1506	22	27	91	72	62	204.5	320	50	36	101
G80CSH26	K1507	26	30	117	101	75	232	389	60	34	114.9

Part No.	Chain Dia mm	W.L.L. t	M.P.L. t	M.B.L. t	Weight kgs
K1501	7/8	2	4	8	0.53
K1502	10	3.15	6.3	12.6	0.98
K1503	13	5.3	10.6	21.2	1.81
K1504	16	8	16	32	3.54
K1505	20	12.5	25	50	5.82
K1506	22	15	30	60	9.17
K1507	26	21.2	42.4	84.8	14.97

- Alloy steel, quenched and tempered.
- Red painted finish.
- Meets the W.L.L. performance requirements of BS EN 1677-2.
- Marked with material grade, manufacturers ID, size, product ID mark and traceability code.
- Clevis fitting enables direct connection to chain.
- Certification available [2.1](#) [DoC](#)

## GT Cobra Grade 80 Eye Sling Hook c/w Safety Catch



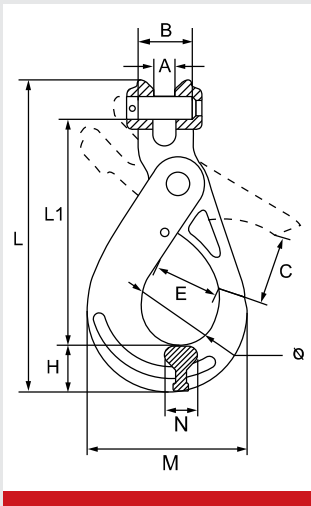
Product Code	Part No.	Chain Dia mm	A mm	B mm	C mm	D mm	E mm	H mm	L mm	L1 mm	M mm	Ø mm	Ø1 mm
G80ESH8	K1551	7/8	49.5	23	59	38	30	23	133	98.5	17	25	11
G80ESH10	K1552	10	71	33	76	46	34	32	167	120	22	38	15
G80ESH13	K1553	13	85.5	44	102	62	39	42.5	213	150	26	43	19
G80ESH16	K1554	16	98	52	110	70	46	48	255	183.5	34	50	23
G80ESH20	K1555	20	121.5	60	137.5	80.4	48	58.5	304	221	42	63	24
G80ESH22	K1556	22	133	77	182	100	71	75.5	348	241	44	62	32
G80ESH26	K1557	26	139	90	172	115	81	80.5	394	279	60	64	35
G80ESH32	K1558	32	169	105	211	140	102	88	480	355	66	88	37

Part No.	Chain Dia mm	W.L.L. t	M.P.L. t	M.B.L. t	Weight kgs
K1551	7/8	2	4	8	0.4
K1552	10	3.15	6.3	12.6	0.9
K1553	13	5.3	10.6	21.2	1.94
K1554	16	8	16	32	2.89
K1555	20	12.5	25	50	5.7
K1556	22	15	30	60	9.2
K1557	26	21.2	42.4	84.8	13
K1558	32	31.5	63	126	20

- Alloy steel, quenched and tempered.
- Red painted finish.
- Meets the W.L.L. performance requirements of BS EN 1677-2.
- Marked with material grade, manufacturers ID, size, product ID mark and traceability code.
- Certification available [2.1](#) [DoC](#)



## GT Cobra Grade 80 Clevis Self Locking Hook

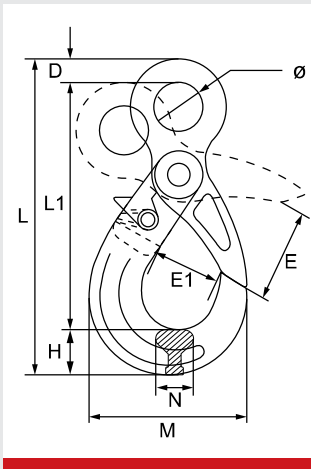


Product Code	Part No.	Chain Dia mm	A mm	B mm	C mm	E mm	H mm	L mm	L1 mm	M mm	N mm	Ø mm
G80CSLH8	K1801	7/8	9.5	38.5	39	35	29.5	161.8	119.3	87	20	44
G80CSLH10	K1802	10	12.5	48	48	45	30	195	142	108	26	58
G80CSLH13	K1803	13	15	59	65	52.5	40	249	179	122	33	70
G80CSLH16	K1804	16	18.5	77	65	63.3	50.5	310	224.8	168.6	36	86
G80CSLH20	K1805	20	24	81	85	86	55	335	238	185	50	97
G80CSLH22	K1806	22	25	97.5	80	76	67	392	277	202	52	98
G80CSLH26	K1807	26	30	118	125	96	75	449	312	239	60	110

Part No.	Chain Dia mm	W.L.L. t	M.P.L. t	M.B.L. t	Weight kgs
K1801	7/8	2	4	8	0.8
K1802	10	3.15	6.3	12.6	1.38
K1803	13	5.3	10.6	21.2	2.81
K1804	16	8	16	32	6
K1805	20	12.5	25	50	7.25
K1806	22	15	30	60	12.8
K1807	26	21.2	42.4	84.8	21.8

- Alloy steel, quenched and tempered.
- Red painted finish.
- Meets the W.L.L. performance requirements of BS EN 1677-3.
- Marked with material grade, manufacturers ID, size, product ID mark and traceability code.
- Clevis fitting enables direct connection to chain.
- Certification available [2.1](#) [DoC](#)

## GT Cobra Grade 80 Eye Self Locking Hook



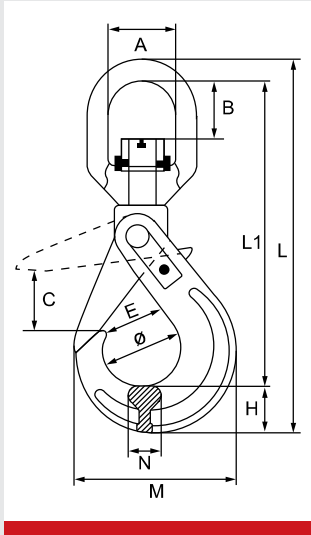
Product Code	Part No.	Chain Dia mm	D mm	E mm	E1 mm	H mm	L mm	L1 mm	M mm	N mm	Ø mm
G80ESLH8	K1851	7/8	13	39	35	29.5	175	136	87	20	25
G80ESLH10	K1852	10	15	48	45	30	214	168	108	26	34.5
G80ESLH13	K1853	13	21	65	52.5	40	268	207	122	33	40
G80ESLH16	K1854	16	27	65	63.3	50.5	332	254	168.6	36	50
G80ESLH20	K1855	20	27	85	86	55	360	274.5	185	50	64.5
G80ESLH22	K1856	22	32	80	76	67	415	319	202	52	70
G80ESLH26	K1857	26	34	125	96	75	472	362	239	60	80
G80ESLH32	K1858	32	45	141	133	97	614	470	329	79.5	105

Part No.	Chain Dia mm	W.L.L. t	M.P.L. t	M.B.L. t	Weight kgs
K1851	7/8	2	4	8	0.88
K1852	10	3.15	6.3	12.6	1.58
K1853	13	5.3	10.6	21.2	3
K1854	16	8	16	32	5.9
K1855	20	12.5	25	50	7
K1856	22	15	30	60	12.3
K1857	26	21.2	42.4	64.8	20
K1858	32	31.5	62.5	126	43

- Alloy steel, quenched and tempered.
- Red painted finish.
- Meets the W.L.L. performance requirements of BS EN 1677-3.
- Marked with material grade, manufacturers ID, size, product ID mark and traceability code.
- Certification available [2.1](#) [DoC](#)



## GT Cobra Grade 80 Swivel Self Locking Hook

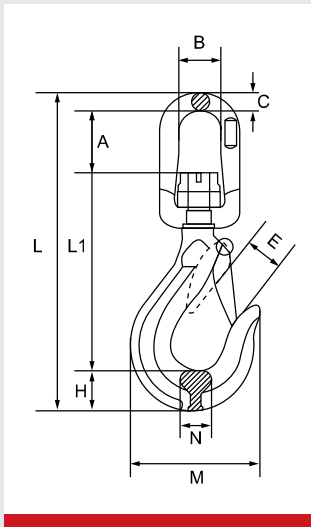


Product Code	Part No.	Chain Dia mm	A mm	B mm	C mm	E mm	H mm	L mm	L1 mm	M mm	N mm	Ø mm
G80SSLH8	K5110	7/8	36	29.5	39	35.8	29.5	228	189	87	20	44
G80SSLH10	K5111	10	42	35	48	48	30	270	224	108	26	58
G80SSLH13	K5112	13	50	41	65	52.5	40	324	267	122	33	70
G80SSLH16	K5113	16	61	56.8	65	63.3	50.5	406	355.6	168.6	36	86
G80SSLH20	K5114	20	72	63	85	86	55	460	378	185	50	97
G80SSLH22	K5115	22	97	98	80	76	67	564	466	202	52	98
G80SSLH26	K5116	26	123	115	125	96	75	661	544	239	60	110

Part No.	Chain Dia mm	W.L.L. t	M.P.L. t	M.B.L. t	Weight kgs
K5110	7/8	2	4	8	1.15
K5111	10	3.15	6.3	12.6	1.86
K5112	13	5.3	10.6	21.2	3.51
K5113	16	8	16	32	7.33
K5114	20	12.5	25	50	10.3
K5115	22	15	30	60	17.5
K5116	26	21.2	42.4	84.8	23

- Alloy steel, quenched and tempered.
- Red painted finish.
- Meets the W.L.L. performance requirements of BS EN 1677-3.
- Marked with material grade, manufacturers ID, size, product ID mark and traceability code.
- Certification available [2.1 DoC](#)

## GT Cobra Grade 80 Swivel Sling Hook with Ball Bearing c/w Safety Catch



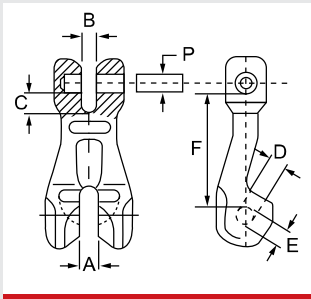
Product Code	Part No.	Chain Dia mm	A mm	B mm	C mm	E mm	H mm	L mm	L1 mm	M mm	N mm
G80SSH8	K5211	7/8	42	36	13	28.5	23	208	170	88	20
G80SSH10	K5212	10	50	42	15.5	31	29.5	251.7	204.8	105	23
G80SSH13	K5213	13	58	50	17	43.7	38	303.6	242	135	32
G80SSH16	K5214	16	63.5	61	21.5	45	45.4	360.8	291.8	161	37.5
G80SSH20	K5215	20	86	74	25	56	50	434.5	356	191.7	49
G80SSH22	K5216	22	102.5	97	33	70	62	538	443	224	58

Part No.	Chain Dia mm	W.L.L. t	M.P.L. t	M.B.L. t	Weight kgs
K5211	7/8	2	4	8	0.95
K5212	10	3.15	6.3	12.6	1.71
K5213	13	5.3	10.6	21.2	2.97
K5214	16	8	16	32	5.3
K5215	20	12.5	25	50	9.5
K5216	22	15	30	60	16

- Alloy steel, quenched and tempered.
- Red painted finish.
- Meets the W.L.L. performance requirements of BS EN 1677-2.
- Marked with material grade, manufacturers ID, size, product ID mark and traceability code.
- Ball bearing type, performs full swivel under load.
- Certification available [2.1 DoC](#)



## GT Cobra Grade 80 Clevis Shortening Clutch

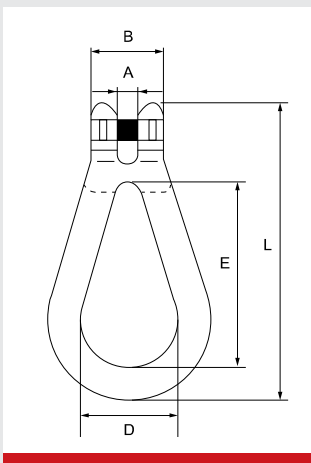


Product Code	Part No.	Chain Dia mm	A/B mm	C mm	D mm	E mm	F mm	P mm
G80CSC8	K1901	7/8	9.5	14	10.5	17	61.7	9.2
G80CSC10	K1902	10	13	18.4	12.4	28	92	13.2
G80CSC13	K1903	13	16.5	22.7	16	34.5	115	16.2
G80CSC16	K1904	16	21	28.5	19.5	40	143	20
G80CSC20	K1905	20	23.5	33.6	23	46	152	24.3

Part No.	Chain Dia mm	W.L.L. t	M.P.L. t	M.B.L. t	Weight kgs
K1901	7/8	2	4	8	0.37
K1902	10	3.15	6.3	12.6	0.97
K1903	13	5.3	10.6	21.2	2.01
K1904	16	8	16	32	3.32
K1905	20	12.5	25	50	6.2

- Alloy steel, quenched and tempered.
- Red painted finish.
- Meets the W.L.L. performance requirements of BS EN 1677-1.
- Marked with material grade, manufacturers ID, size, product ID mark and traceability code.
- Clevis fitting enables direct connection to chain.
- Certification available [2.1 DoC](#)

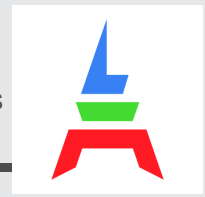
## GT Cobra Grade 80 Clevis Reeveable Egg Link



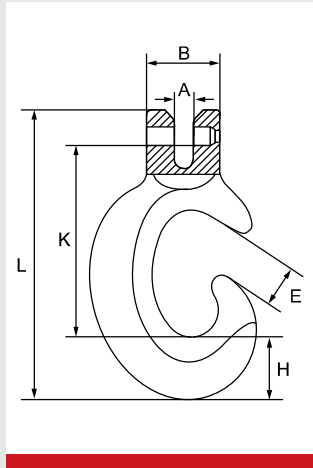
Product Code	Part No.	Chain Dia mm	A mm	B mm	D mm	E mm	L mm
G80REL8	K2001	7/8	10	32.8	45	87	139
G80REL10	K2002	10	12	42	60	108	174
G80REL13	K2003	13	16.5	55.5	66.5	137.5	228
G80REL16	K2004	16	19	68	72	165	264

Part No.	Chain Dia mm	W.L.L. t	M.P.L. t	M.B.L. t	Weight kgs
K2001	7/8	2	4	8	0.53
K2002	10	3.15	6.3	12.6	0.74
K2003	13	5.3	10.6	21.2	1.76
K2004	16	8	16	32	2.8

- Alloy steel, quenched and tempered.
- Red painted finish.
- Marked with material grade, manufacturers ID, size, product ID mark and traceability code.
- Clevis fitting enables direct connection to chain.
- Certification available [2.1 DoC](#)



## GT Cobra Grade 80 Clevis C Hook

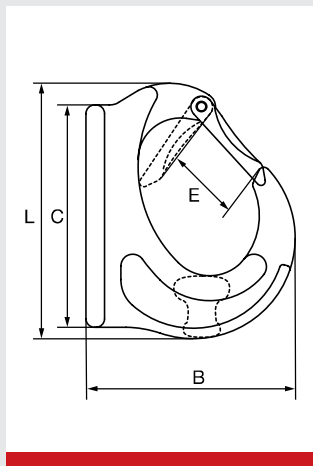


Product Code	Part No.	Chain Dia mm	A mm	B mm	E mm	H mm	K mm	L mm
G80CCH8	K5001	7/8	9.5	35	20	28	90	136
G80CCH10	K5002	10	13	46	29.5	39.5	127	189
G80CCH13	K5003	13	16.8	59	39.5	52	166.5	246
G80CCH16	K5004	16	18.5	72	46.5	59	206	298

Part No.	Chain Dia mm	W.L.L. t	M.P.L. t	M.B.L. t	Weight kgs
K5001	7/8	2	4	8	0.57
K5002	10	3.15	6.3	12.6	1.4
K5003	13	5.3	10.6	21.2	3
K5004	16	8	16	32	5.4

- Alloy steel, quenched and tempered.
- Red painted finish.
- Marked with material grade, manufacturers ID, size, product ID mark and traceability code.
- Clevis fitting enables direct connection to chain.
- Certification available [2.1](#) DoC

## GT Cobra Grade 80 Weld on Hook



Product Code	Part No.	B mm	C mm	E mm	L mm
G80WH1	SLR0191.0T	78	90	23.5	98
G80WH2	SLR0192.0T	92	81	28	114
G80WH3	SLR0193.0T	106	116	30	129
G80WH5	SLR0195.0T	133	159	39	171
G80WH8	SLR0198.0T	136.5	159	36	177
G80WH10	SLR01910.0T	169.5	194	48	223

Part No.	W.L.L. t	M.P.L. t	M.B.L. t	Weight kgs
SLR0191.0T	1	2	5	0.485
SLR0192.0T	2	4	10	0.83
SLR0193.0T	3	6	15	1.2
SLR0195.0T	5	10	25	2.46
SLR0198.0T	8	16	40	3.26
SLR01910.0T	10	20	50	5.17

- Alloy steel, 35CrMo.
- Red painted finish.
- Welding must be done in accordance with BS EN 287-1.
- Marked with W.L.L, material grade, manufacturers ID and traceability code.
- Please consult GT Lifting safety instruction for all welding assistance and product guidance before use.
- Certification available [2.1](#) DoC